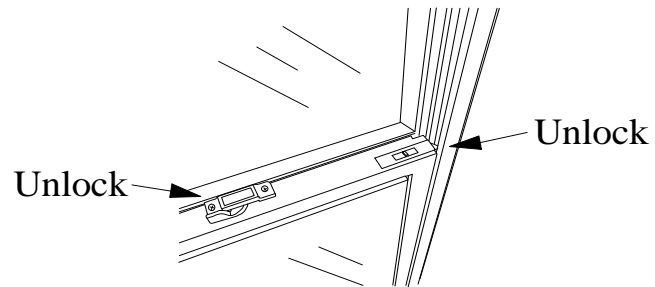


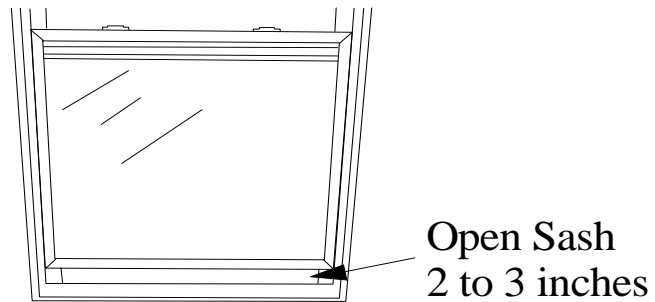
1 Disengage Lock & Tilt Latch

- Unlock the window lock on each side.
- Release the tilt Latch on each side.



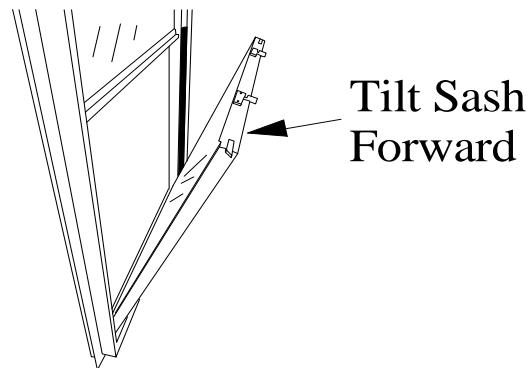
2 Open the Sash

- Open the sash to allow a 2 to 3 inch gap at the bottom



3 Tilt the Sash

- Tilt the top side of the sash out from the window.



4 Tilt the Sash

- Insert the screen into the screen track.
- Pull the Push/Pull Pins on the bottom side first as you place into position.
- Next pull the Push/Pull Pins on the top side as you complete the installation.

