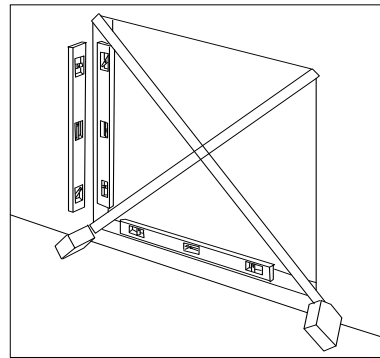


1 Remove Packaging & Inspect Your Patio Door

- Remove shipping materials such as corner covers and pads.
- **Before installation, check your local and state requirements for this type of install.**

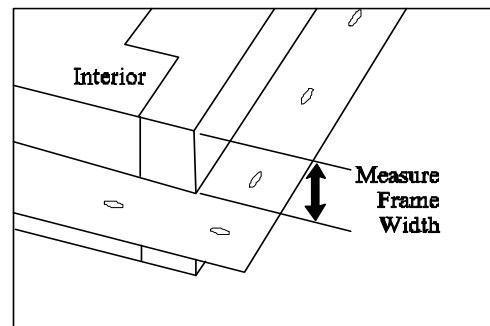
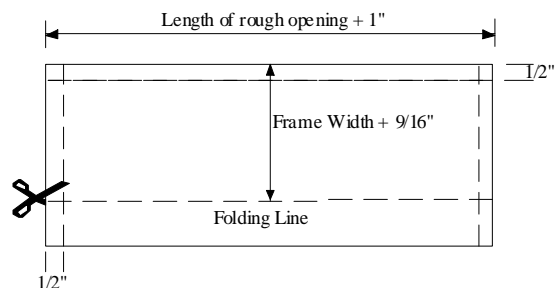
2 Inspect Rough Opening

- **Before installation, check your local and state requirements for this type of install.**
- Verify that the width and height of the patio door are each 1/2" to 3/4" smaller than the rough opening.
- Verify that the rough opening is square. First, measurement from corner to corner - diagonally across the opening. Then measure the other side corner to corner - diagonally across the opening. The measurements should be within 1/4" to be considered square.
- Verify the rough opening is level and plumb. It must be within 1/8" to be considered true.
- The base of the rough opening must not be crowned or sagged.
- Minimum double studs should be used on all rough openings
- The header must be supported by trimmer studs.



3 Prepare Sill Pan

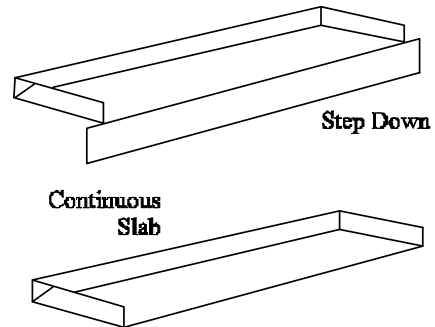
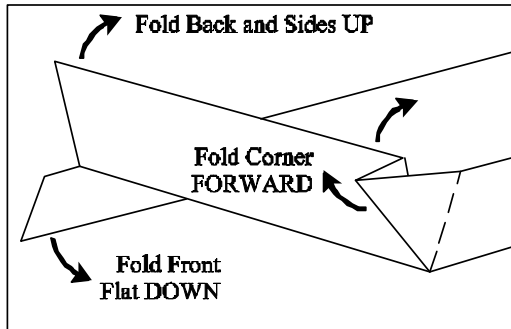
- **Before installation, check your local and state requirements for this type of install.**
- Cut a piece of sheet material the length of the rough opening plus 1", as shown in the diagram.
- On the two short sides, crease a folding line 1/2" in. On one of the long sides, crease a folding line 1/2" in.
- Determine the length of the interior edge by measuring from the nailing fin to the inside edge of the frame.
- Take the interior frame measurement and add 9/16". Then, with this distance, measure from the back edge and lightly crease a folding line across the sheet material.
- For step-down landings, cut 1/2" off the sides of the folding line area as shown in the diagram.
- For continuous slab, cut across the folding line.





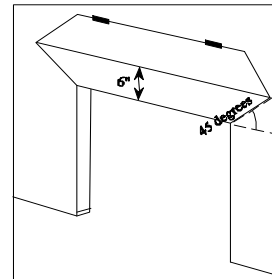
3 Prepare Sill Pan (continued)

- Before installation, check your local and state requirements for this type of install.
- Fold the three 1/2 folding lines up to make a 3-sided box. For step-down landings, fold the front flap down.



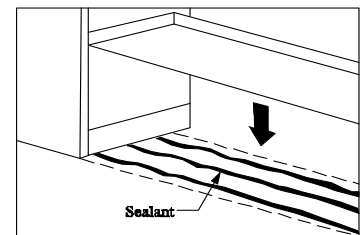
4 Prepare Rough Opening

- Before installation, check your local and state requirements for this type of install.
- Apply a 12" piece of building wrap flush with the edges of the rough opening.

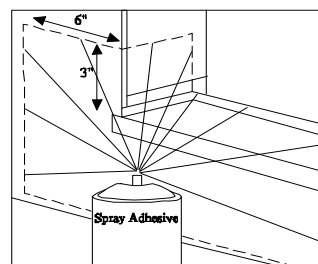


- Fold the building wrap in half and cut a 45 degree angle on each side - as shown in the diagram.

- Place the sill pan into position, and mark a line in the rough opening across the front and back of the sill pan as shown. Remove sill pan and apply three beads of sealant.

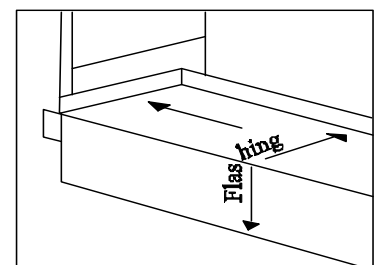


- Place the sill pan back into its position in the rough opening.



- Apply spray adhesive to sill area.

- Apply a piece of self adhesive flashing to the sill and apply over the sill pan as shown. The bottom of the sill pan should be completely covered by the flashing.

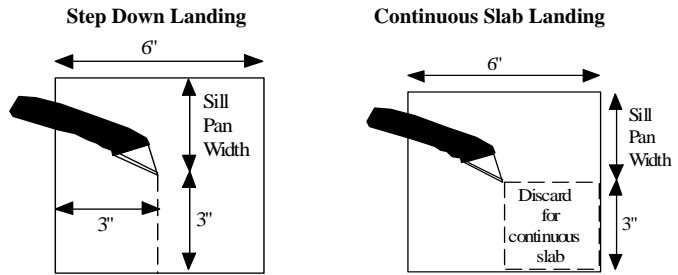




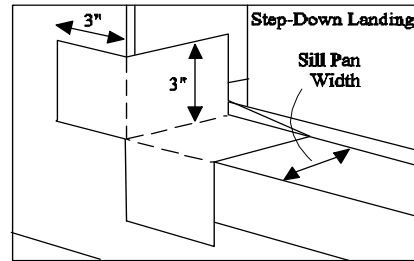
4 Prepare Rough Opening (continued)

- Before installation, check your local and state requirements for this type of install.
- Cut two pieces of self adhesive flashing as shown in the diagram.

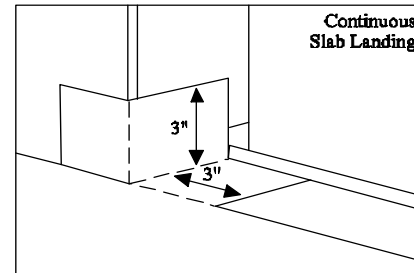
- For continuous slab landing only, cut out the inside corner. You will need one cut for the left and one cut opposite for the right.
- Apply the pieces of flashing to the inside corners.



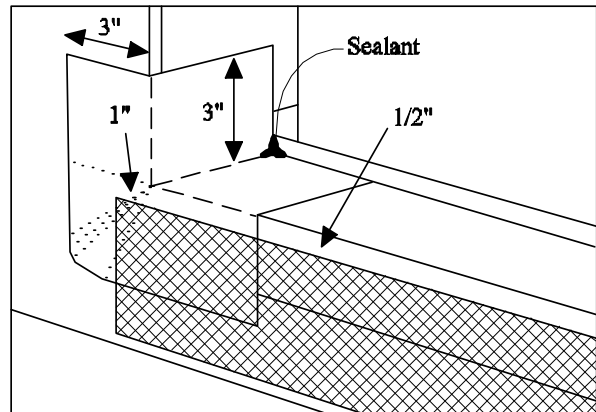
- Avoid gaps or bubbles beneath flashing. Smooth with a J-roller if necessary.



- Seal back corners of sill pan with sealant.



- For step-down landings, cut plastic drain screen to length of sill + 2" and staple 1/2" below edge. This allows a path for air to dry any incidental moisture in the rough opening.

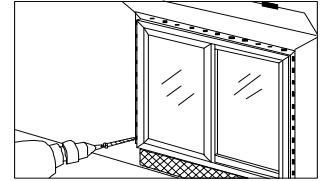
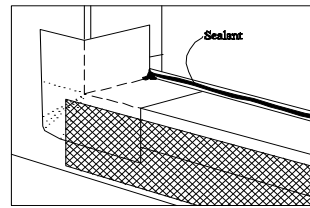




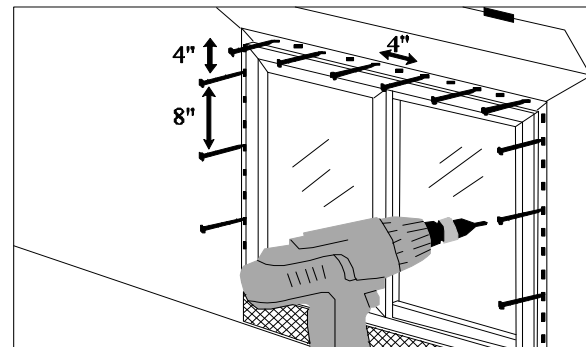
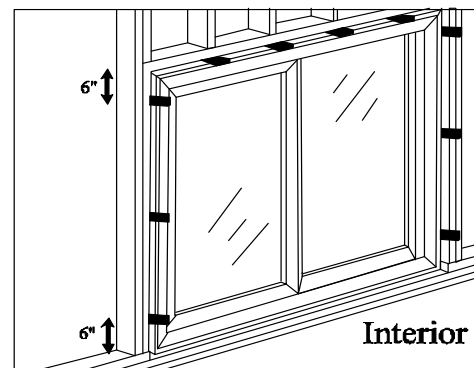
5 Install Patio Door

- **Before installation, check your local and state requirements for this type of install.**

- For continuous slab landings only, remove nailing fin at sill.
- Apply a 3/8" continuous bead of sealant across the back side of the sill pan as shown in the diagram.
- Tilt patio door into the rough opening. Verify that the back of the door makes solid contact with the sealant.



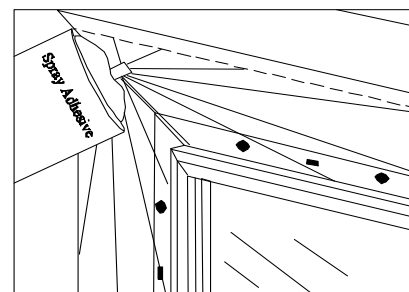
- Fasten patio door with a galvanized screw between 3" and 4" from the lower corner on one side.
Note! Secure all shims with sealant.
- On the inside, shim the operating panel side jamb 6" from the corners and at the strike plate. Align shims so that strike plate screws (installed later) will penetrate a shim.
- Shim the stationary panel side jamb 6" from the corners and in the center.
- Shim the head jamb 6" from the corners of each panel.
- Verify that the patio door is square, level, and plumb. Test for proper operation (remove and reinstall if necessary).
- Fasten through nailing fin holes with #8 x 1 truss head screws. At the head, screws should be driven 4" from the corners and 4" apart. For step-down landings, secure the sill in the same manner as the head. Fasten the side jambs at 8" intervals.



6 Flash Patio Door

- **Before installation, check your local and state requirements for this type of install.**

- Cut piece of self-adhesive flashing to length as follows:
 - a. One header piece 14" longer than the header.
 - b. Two side pieces: for continuous slab landing, 5" longer than the sides, or for step-down landing, 5" + the height of the step.
 - c. For step-down landings only, one sill piece 10" longer than the sill and 1" narrower than the height of the step.



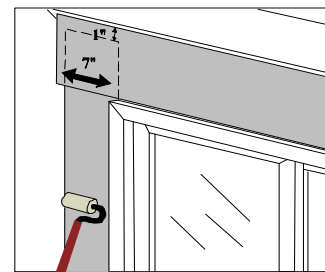
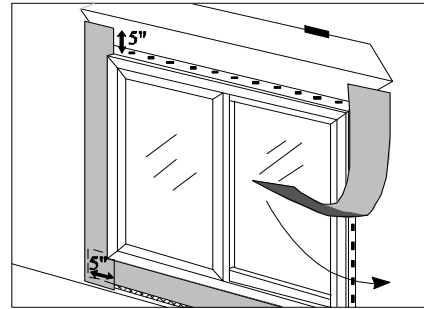


6 Flash Patio Door (continued)

- **Before installation, check your local and state requirements for this type of install.**
- Apply spray adhesive (protect door from overspray) to nailing fin, sheathing, and building wrap around the patio door as shown.

Note: Keep the edge of the self-adhesive flashing as close to the patio door frame as possible.

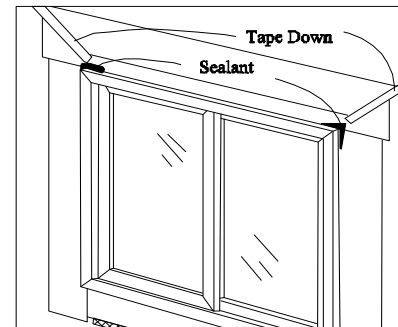
- If applicable, center and apply the sill piece underneath the sill (bottom 1/2" of the drain screen must remain visible).
- Apply the side pieces starting 5" above the header.
- Center and apply the header piece above the header.
- Press the flashing down with a J-roller.
- Do not allow gaps or bubbles beneath the self-adhesive flashing (remove and replace if necessary).



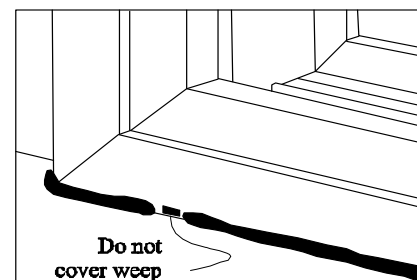
7 Complete Installation

- **Before installation, check your local and state requirements for this type of install.**
- Seal the upper corners of the patio door with a 1/4" bead of sealant. Tool into a fillet shape.

- Release the building wrap from above the header and overlap the header flashing. Seal the ends with self-adhesive flashing or building wrap tape.
- For continuous slab landings, apply a 1/4" bead of sealant around the sill where it meets the slab. Leave gaps at the weep holes as shown.



- On the interior, seal the lower 6" of gap between the rough opening and door jamb with backer rod and sealant on both sides of the patio door.
- Ensure sealant on back dam of the sill pan fully seals to the inside face of the sill. Apply more sealant as necessary.



- On step-down landings only, on the exterior, install support trim underneath the sill where it extends past the landing. Position trim snugly against the bottom of the sill toe.