

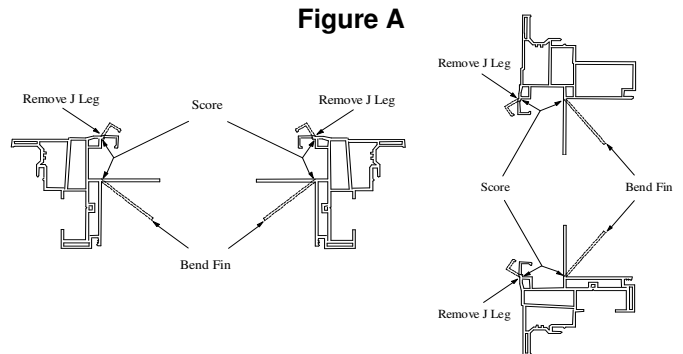
Before installation, check your local and state requirements for this type of install.



1 Nail Fin Removal

Before installation, check your local and state requirements for this type of install.

- Remove nailing fin on the sides of the windows that will be connected to the mull by first scoring the fin with a sharp object then peeling away as shown in figure A. Next, remove the J Leg using the same process as the nailing fin. Notice the point of removal on the drawings.



2 Install Mull

Before installation, check your local and state requirements for this type of install.

- Working from the exterior of the windows, apply clear silicone caulking down the entire length of the two notches of the window frames as shown in figure B.
- Position one mull between the two windows aligning the mull locking legs with the grooves of the window frames. (see figure C) Apply inward pressure against the frame until it is seated into the grooves.
- Place optional aluminum reinforcing bar into mull as shown in figure D. Position the interior mull between the two windows aligning the mull locking legs with the grooves of the window frames. (see figure D) Apply inward pressure against the mull until it is seated into the grooves. **Reinforcement is not necessary on Vertical Mulls that are 5 ft or less or Horizontal Mulls that are 3 ft or less.**

Figure B

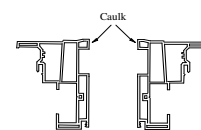


Figure C

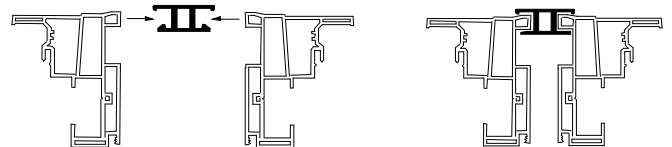
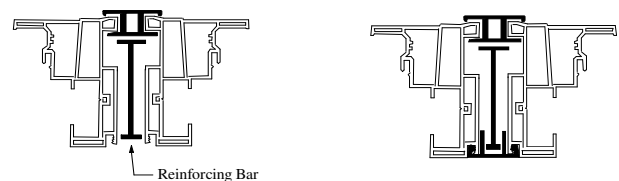


Figure D

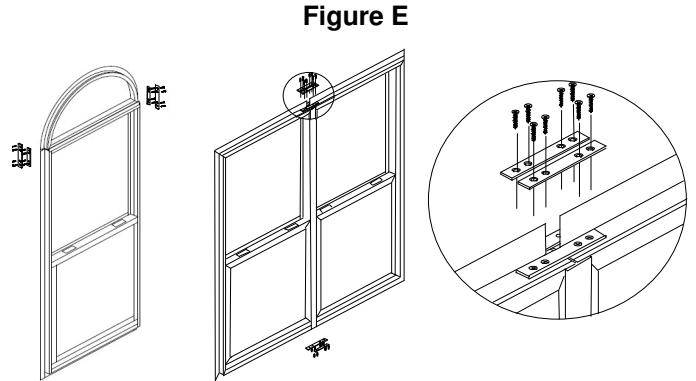




3 Install Clips

Before installation, check your local and state requirements for this type of install.

- Position mulling plate at end of mull as shown in figure E. Secure with #8 x 5/8" screws. Drill a 3/32" pilot hole if needed. Remove excess weld flashing if necessary to allow plate to lie flat. Apply a layer of silicone across the entire area of the clip and allow to dry. Repeat at opposite end of mull.



4 Additional Measures

Before installation, check your local and state requirements for this type of install.

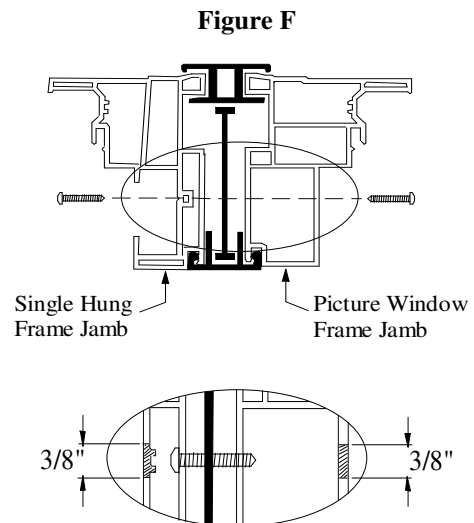
For windows over 5 feet in height when mulling single hung beside single hung:

- Raise sash of either single hung to a completely open position.
- At approximately 2" below the bottom of the sash, drill a 3/8" diameter hole through the first wall of material ONLY.
- Secure with a #6 x 3/4" screw. Drill a 3/32" diameter pilot hole if needed. (See Figure F)
- Repeat this procedure at approximately 5" above the frame sill.
- Close and lock sash. Repeat procedure on opposite window making sure screws are approximately 1" lower than previous screws.

Before installation, check your local and state requirements for this type of install.

For windows over 5 feet in height when mulling single hung beside picture window:

- Raise sash of single hung to a completely open position.
- At approximately 2" below the bottom of the sash, drill a 3/8" diameter hole through the first wall of material ONLY.
- Secure with a #6 x 3/4" screw. Drill a 3/32" diameter pilot hole if needed. (See Figure F)
- Repeat this procedure at approximately 5" above the frame sill.
- Close and lock sash.
- On the picture window at approximately 1" lower than single hung screws, drill a 3/8" diameter hole through the first wall of material only.
- Secure with a #6 x 3/4" screw as shown. Drill a 3/32" diameter pilot hole if needed.





Before installation, check your local and state requirements for this type of install.

For windows over 5 feet in height when mulling picture window beside picture window:

- At approximately 5" below the frame head drill a 3/8" diameter hole through the first wall of the material only.
- Secure with a #6 x 3/4" screw as shown. Drill a 3/32" diameter pilot hole if needed. (See Figure F)
- Repeat this procedure at approximately 5" above the frame sill.
- Repeat this procedure on opposite window making sure screws are approximately 1" lower than previous screws.

Before installation, check your local and state requirements for this type of install.

For window over 3 feet in width when mulling picture window over single hung or picture window over picture window:

- At approximate center of picture window sill, drill a 3/8" diameter hole through the first wall of material ONLY.
- Secure with a #6 x 3/4" screw. Drill a 3/32" pilot hole if needed. (See Figure G)

Figure G

